

Double-row spherical type slewing bearing(02 series)

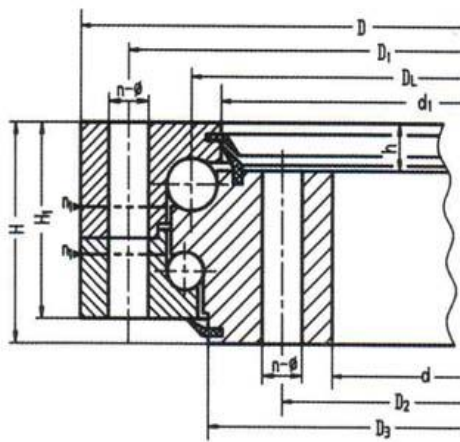
CHARACTERISTIC OF STRUCTURE, PERFORMANCE AND APPLICATION

The double-row Ball slewing bearing has three seat-rings. The steel balls and the spacers may be directly arranged into the upper and lower races. Two rows of steel balls with different diameters are fitted according to the force form.

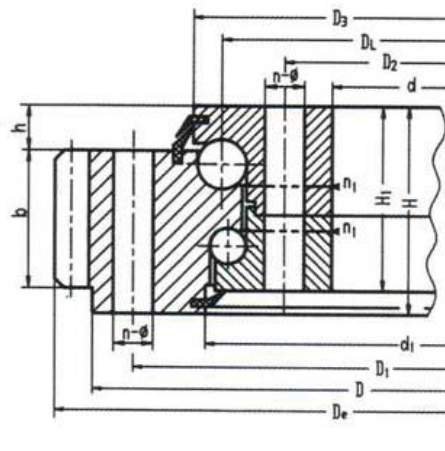
Such open mode fitting features extraordinary convenience. The load angles of both upper and lower races are 90° , which enable the bearing to bear large axial force and the tipping moment.

When the radial force is larger than 1/10 of the axial force the races should be newly designed.

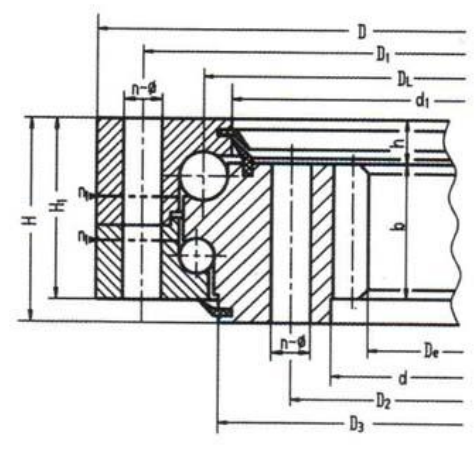
As the axle and the dimension of the double-row ball slewing bearing are rather large, the bearing construction is sturdy, hence it is especially suitable for tower cranes which require working radius over medium range, mobile cranes and loading and unloading machines.



020



021, 022



023, 024

Type	Configuration		Mounting size											Structural		Gear		Ext Gear		Int Gear	
	Ext Toothless D _L mm	Int Toothless D _L mm	D	d	H	D ₁ mm	D ₂ mm	d _{n1} mm	d _{m1} mm	L mm	n	n ₁	H ₁	h	b mm	m mm	d _a mm	Z	d _a mm		
500	021.25.500	023.25.500	616	384	106	580	420	18	M16		20	4	96	26	60	5	644	126	357		
	022.25.500	024.25.500														6	646.8	105	350.4		
560	021.25.560	023.25.560	676	444	106	640	480	18	M16		20	4	96	26	60	5	704	138	417		
	022.25.560	024.25.560														6	706.8	115	410.4		
630	021.25.630	023.25.630	746	514	106	710	550	18	M16		24	4	96	26	60	6	790.8	129	482.4		
	022.25.630	024.25.630														8	790.4	96	475.2		
710	021.25.710	023.25.710	826	594	106	790	630	18	M16		24	4	96	26	60	6	862.8	141	560.4		
	022.25.710	024.25.710														8	862.4	105	555.2		
800	021.30.800	023.30.800	942	658	124	898	702	22	M20		30	6	114	29	80	8	982.4	120	619.2		
	022.30.800	024.30.800														10	988	96	614		
900	021.30.900	023.30.900	1042	758	124	998	802	22	M20		30	6	114	29	80	8	1086.4	133	715.2		
	022.30.900	024.30.900														10	1088	106	714		
1000	021.30.1000	023.30.1000	1142	858	124	1098	902	22	M20		36	6	114	29	80	10	1198	117	814		
	022.30.1000	024.30.1000														12	1197.6	97	796.8		

1120	021.30.1120	023.30.1120	1262	978		1218	1022										10	1318	129	924	
	022.30.1120	024.30.1120															12	1317.6	107	916.8	
1250	021.40.1250	023.40.1250	1426	1074		1374	1126										12	1497.6	122	1012.8	
	022.40.1250	024.40.1250															14	1495.2	104	1013.6	
1400	021.40.1400	023.40.1400	1576	1224	160	1524	1272										40	12	1641.6	134	1156.8
	022.40.1400	024.40.1400															14	1649.2	115	1153.6	
1600	021.40.1600	023.40.1600	1776	1424		1724	1476	26	M24								5	14	1845.2	129	1349.6
	022.40.1600	024.40.1600															16	1852.8	113	1350.4	
1800	021.40.1800	023.40.1800	1976	1624		1924	1676										45	14	2055.2	144	1545.6
	022.40.1800	024.40.1800															16	2060.8	126	1542.4	
2000	021.50.2000	023.50.2000	2215	1785		2149	1851										16	2300.8	141	1702.4	
	022.50.2000	024.50.2000															18	2300.4	125	1699.2	
2240	021.50.2240	023.50.2240	2455	2025	190	2389	2091										48	16	2540.8	156	1942.4
	022.50.2240	024.50.2240															18	2552.4	139	1933.2	
2500	021.50.2500	023.50.2500	2715	2285		2649	2351	33	M30								8	18	2804.4	153	2203.2
	022.50.2500	024.50.2500															20	2816	138	2188	
2800	021.50.2800	023.50.2800	3015	2585		2949	2651										56	18	3110.4	170	2491.2
	022.50.2800	024.50.2800															20	3116	153	2488	

www.slewing-bearing.net Tel: (+86)516-89238888 Email: support@slewing-bearing.net