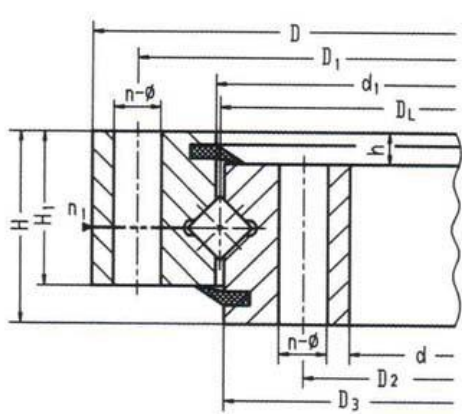


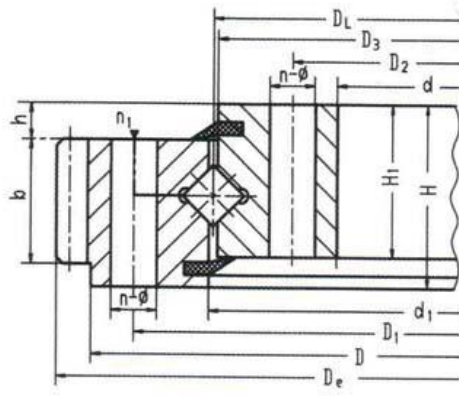
# Crossover rolling type slewing bearing(HJ series)

## CHARACTERISTIC OF STRUCTURE,PERFORMANCE AND APPLICATION

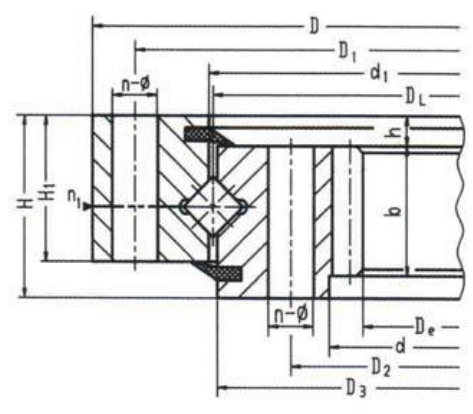
The single-row four point contact ball slewing ring is composed of two seat-rings.It features compact in design,light in weight,the balls contact with the circular raceway at four points, via which the axial force,radial force and resultant moment may be born simultaneously.It may be used for slewing conveyers,welding operating consoles,light,medium duty cranes,excavators and other engineering machines.



HJB



HJW



HJN

	Configuration			Mounting Size				structural size					Gear Date		Ext Gear		Int Gear		
	D mm	d mm	H mm	D <sub>1</sub> mm	D <sub>2</sub> mm	n	F mm	n <sub>1</sub>	d <sub>1</sub> mm	D <sub>3</sub> mm	H <sub>1</sub> mm	h	b mm	x	m mm	D <sub>e</sub> mm	Z	D <sub>e</sub> mm	Z
Int Toothless D <sub>L</sub> mm																			
HJN.20.625	725	525	80	685	565	18	18	3	627	623	68	12	60	+1.4	5	751.9	146	498.8	101
HJN.20.625A														+1.15	6	755.5	122	496.7	84
HJN.20.720	820	620	80	780	660	18	18	3	722	718	68	12	60	+1.4	6	860.3	139	586.6	99
HJN.20.720A														+1.0	8	861.1	104	582.3	74
HJN.30.820	940	705	95	893	749	24	20	4	822	818	83	12	70	+1.4	6	980.6	159	664.5	112
HJN.30.820A														+1.0	10	986.2	95	658.0	67
HJN.30.880	1000	760	95	956	800	24	20	4	882	878	83	12	70	+1.15	8	1047.5	127	718.2	91
HJN.30.880A														+1.0	10	1046.3	101	707.9	72
HJN.30.1020	1170	875	95	1120	930	24	22	4	1022	1018	80	15	70	+1.4	8	1219.3	148	830.1	105
A HJN.30.1020A														+1.15	10	1219.2	118	827.8	84
HJN.36.1220	1365	1075	120	1310	1130	36	24	6	1222	1218	105	15	90	+1.4	10	1424.9	138	1027.8	104
A HJN.36.1220A														+1.0	12	1435.9	116	1017.3	86
HJN.36.1250	1400	1090	120	1350	1150	36	26	6	1252	1248	105	15	90	-0.35	10	1443	143	1037	105
A HJN.36.1250A														+1.0	12	1449.6	117	1036.8	86
HJN.36.1435	1595	1278	120	1535	1335	36	26	6	1437	1433	105	15	90	+1.15	12	1655.5	134	1221.2	103

A	HJN.36.1435A														+1.0	14	1661.2	115	1214.8	83
	HJN.45.1540														+1.4	12	1780.8	144	1293.1	109
A	HJN.45.1540A	1720	1360	140	1660	1420	42	26	6	1543	1537	122	18	110	+1.15	14	1791.1	124	1284.8	93
	HJN.45.1700														+1.15	14	1945.4	135	1452.7	105
A	HJN.45.1700A	1875	1525	140	1815	1585	42	29	6	1703	1679	122	18	110	+1.15	16	1950.8	118	1452.3	92

[www.slewing-bearing.net](http://www.slewing-bearing.net) Tel: (+86)516-89238888 Email: [support@slewing-bearing.net](mailto:support@slewing-bearing.net)