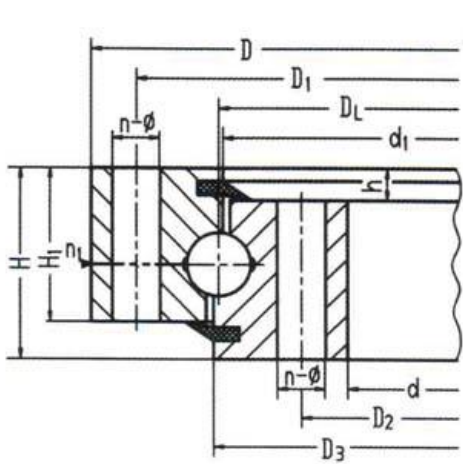


Single-row spherical type slewing bearing(01 series)

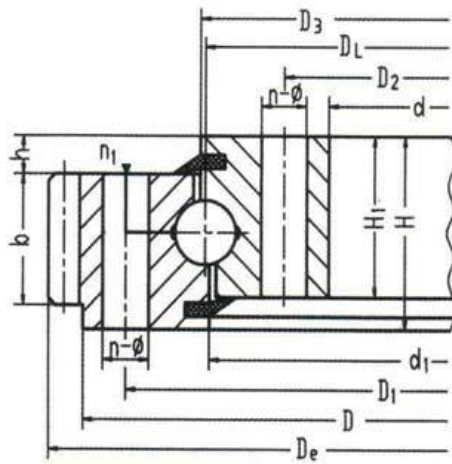
CHARACTERISTIC OF STRUCTURE—PERFORMANCE AND APPLICATION

The single-row four point contact ball slewing ring is composed of 2 seat-rings. It features compact in design, and light in weight. The balls contact with the circular race at four points, via which the axial force, radial force and resultant moment may be born simultaneously.

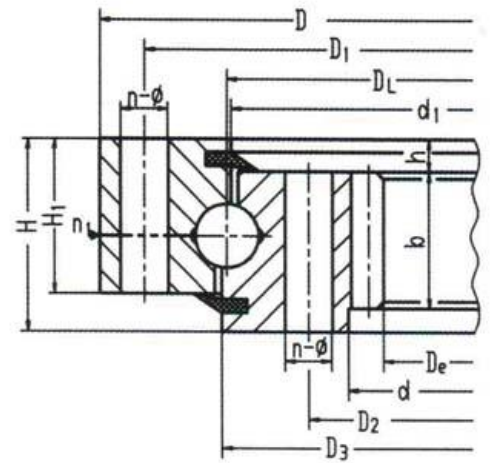
It may be used for slewing conveyers, welding arm and positioner, light, medium duty cranes, excavators and other engineering machines.



010



011,012



013,014

Basic type		Configuration size			Mounting				Structural size				Gear Data			Ext Gear		In	
Ext Toothings DL mm	Int Toothings DL mm	D mm	d mm	H mm	D1 mm	D2 mm	n	i_{μ} mm	n1	D3 mm	d1 mm	H1 mm	h	b mm	x	m mm	De mm	Z	De mm
011.20.200	—	280	120	60	248	152	12	16	2	201	199	50	10	40	0	3	300	98	—
011.20.224	—	304	144	60	272	176	12	16	2	225	223	50	10	40	0	3	312	105	—
011.20.250	—	330	170	60	298	202	18	16	2	251	249	50	10	40	0	4	352	86	—
011.20.280	—	360	200	60	328	232	18	16	2	281	279	50	10	40	0	4	384	94	—
011.25.315	013.25.315	408	222	70	372	258	20	18	2	316	314	60	10	50	0	5	435	85	190
011.25.355	013.25.355	448	262	70	412	298	20	18	2	356	354	60	10	50	0	5	475	93	230
011.25.400	013.25.400	493	307	70	457	343	24	18	2	401	399	60	10	50	0	6	528	86	270
011.25.450	013.25.450	543	357	70	507	393	24	18	2	451	449	100	10	50	0	6	576	94	320
011.30.500	013.30.500	602	398	80	566	434	20	18	4	501	498	70	10	60	+0.5	5	629	123	360
012.30.500	014.30.500															6	628.8	102	360
011.25.500	013.25.500	602	398	80	566	434	20	18	4	501	499	70	10	60	+0.5	5	629	123	360
012.25.500	014.25.500															6	628.8	102	360
011.30.560	013.30.560	662	458	80	626	494	20	18	4	561	558	70	10	60	+0.5	5	689	135	420

012.30.560	014.30.560														6	688.8	112	42	
011.25.560	013.25.560	662	458	80	626	494	20	18	4	561	559	70	10	60	+0.5	5	689	135	42
012.25.560	014.25.560															6	688.8	112	42
011.30.630	013.30.630	732	528	80	696	564	24	18	4	631	628	70	10	60	+0.5	6	772.8	126	49
012.30.630	014.30.630															8	774.4	94	49
011.25.630	013.25.630	732	528	80	696	564	24	18	4	631	629	70	10	60	+0.5	6	772.8	126	49
012.25.630	014.25.630															8	774.4	94	49
011.30.710	013.30.710	812	608	80	776	644	24	18	4	711	708	70	10	60	+0.5	6	850.8	139	57
012.30.710	014.30.710															8	854.4	104	57
011.25.710	013.25.710	812	608	80	776	644	24	18	4	711	709	70	10	60	+0.5	6	850.8	139	57
012.25.710	014.25.710															8	854.4	104	57
011.40.800	013.40.800	922	678	100	878	722	30	22	6	801	798	90	10	80	+0.5	8	966.4	118	63
012.40.800	014.40.800															10	968	94	63
011.30.800	013.30.800	922	678	100	878	722	30	22	6	801	798	90	10	80	+0.5	8	966.4	118	63
012.30.800	014.30.800															10	968	94	63
011.40.900	013.40.900	1022	778	100	978	822	30	22	6	901	898	90	10	80	+0.5	8	1062.4	130	73
012.40.900	014.40.900															10	1068	104	73
011.30.900	013.30.900	1022	778	100	978	822	30	22	6	901	898	90	10	80	+0.5	8	1062.4	130	73
012.30.900	014.30.900															10	1068	104	73
011.40.1000	013.40.1000	1122	878	100	1078	922	36	22	6	1001	998	90	10	80	+0.5	10	1188	116	82
012.40.1000	014.40.1000															12	1185.6	96	82
011.30.1000	013.30.1000	1122	878	100	1078	922	36	22	6	1001	998	90	10	80	+0.5	10	1188	116	82
012.30.1000	014.30.1000															12	1185.6	96	82
011.40.1120	013.40.1120	1242	998	100	1198	1042	36	22	6	1121	1118	90	10	80	+0.5	10	1298	127	94
012.40.1120	014.40.1120															12	1305.6	106	94
011.30.1120	013.30.1120	1242	998	100	1198	1042	36	22	6	1121	1118	90	10	80	+0.5	10	1298	127	94
012.30.1120	014.30.1120															10	1298	127	94
014	1453.2	101	1041.6	75	15.8	21.9													
011.35.1250	013.35.1250	1390	1110	110	1337	1163	40	26	5	1251	1248	100	10	90	+0.5	12	1449.6	118	10
012.35.1250	014.35.1250															14	1453.2	101	10
011.45.1400	013.45.1400	1540	1260	110	1487	1313	40	26	5	1402	1398	100	10	90	+0.5	12	1605.6	131	11
012.45.1400	014.45.1400															14	1607.2	112	11
011.35.1400	013.35.1400	1540	1260	110	1487	1313	40	26	5	1401	1398	100	10	90	+0.5	12	1605.6	131	11
012.35.1400	014.35.1400															14	1607.2	112	11
011.45.1600	013.45.1600	1740	1460	110	1687	1513	45	26	5	1602	1598	100	10	90	+0	14	1817.2	127	13

012.45.1600	014.45.1600														.5	16	1820.8	111	13
011.35.1600	013.35.1600	1740	1460	110	1687	1513	45	26	5	1601	1598	100	10	90	+0.5	14	1817.2	127	13
012.35.1600	014.35.1600															16	1820.8	111	13
011.45.1800	013.45.1800	1940	1660	110	1887	1713	45	26	5	1802	1798	100	10	90	+0.5	14	2013.2	141	15
012.45.1800	014.45.1800															16	2012.8	123	15
011.35.1800	013.35.1800	1940	1660	110	1887	1713	45	26	5	1801	1798	100	10	90	+0.5	14	2013.2	141	15
012.35.1800	014.35.1800															16	2012.8	123	15
011.60.2000	013.60.2000	2178	1825	144	2110	1891	48	33	8	2002	1998	132	12	120	+0.5	16	2268.8	139	17
012.60.2000	014.60.2000															18	2264.4	123	17
011.40.2000	013.40.2000	2178	1825	144	2110	1891	48	33	8	2001	1998	132	12	120	+0.5	16	2268.8	139	17
012.40.2000	014.40.2000															18	2264.4	123	17
011.60.2240	013.60.2240	2418	2065	144	2350	2131	48	33	8	2242	2238	132	12	120	+0.5	16	2492.8	153	19
012.60.2240	014.60.2240															18	2498.4	136	19
011.40.2240	013.40.2240	2418	2065	144	2350	2131	48	33	8	2241	2238	132	12	120	+0.5	16	2492.8	153	19
012.40.2240	014.40.2240															18	2498.4	136	19
011.60.2500	013.60.2500	2678	2325	144	2610	2391	56	33	8	2502	2498	132	12	120	+0.5	18	2768.4	151	22
012.60.2500	014.60.2500															20	2776	136	22
011.40.2500	013.40.2500	2678	2325	144	2610	2391	56	33	8	2501	2498	132	12	120	+0.5	18	2768.4	151	22
012.40.2500	014.40.2500															20	2776	136	22
011.60.2800	013.60.2800	2978	2625	144	2910	2691	56	33	8	2802	2798	132	12	120	+0.5	18	3074.4	168	25
012.60.2800	014.60.2800															20	3076	151	25
011.40.2800	013.40.2800	2978	2625	144	2910	2691	56	33	8	2802	2798	132	12	120	+0.5	18	3074.4	168	25
012.40.2800	014.40.2800															20	3076	151	25

www.slewing-bearing.net Tel: (+86)516-89238888 Email: support@slewing-bearing.net